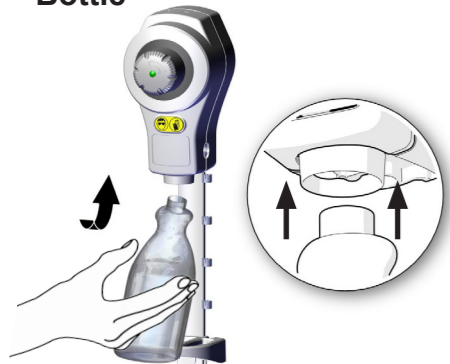


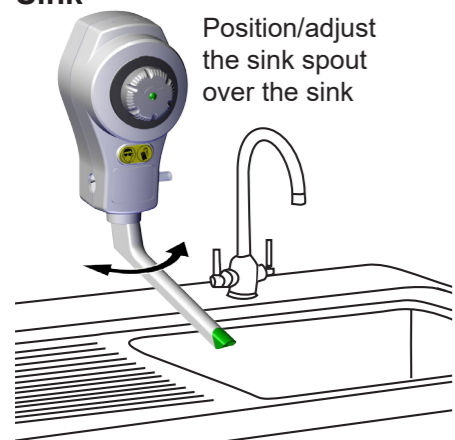
Prepare

Bottle

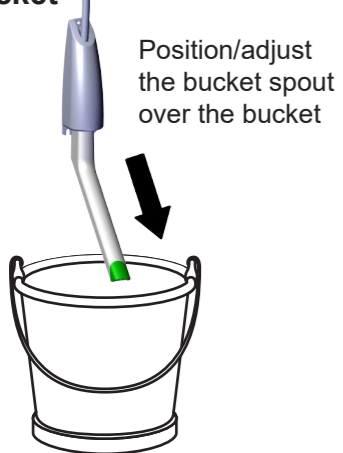


Push bottle up onto the nozzle to activate dispensing

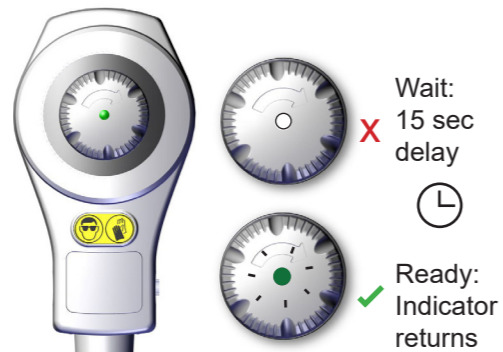
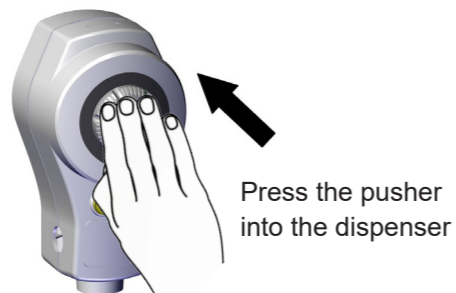
Sink



Bucket



Operate



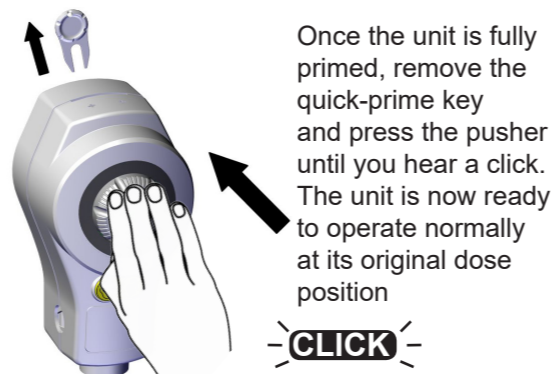
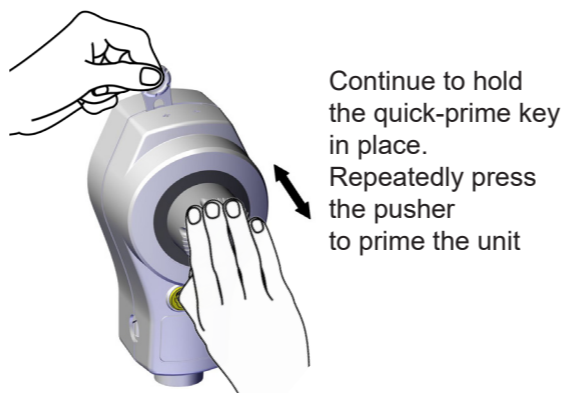
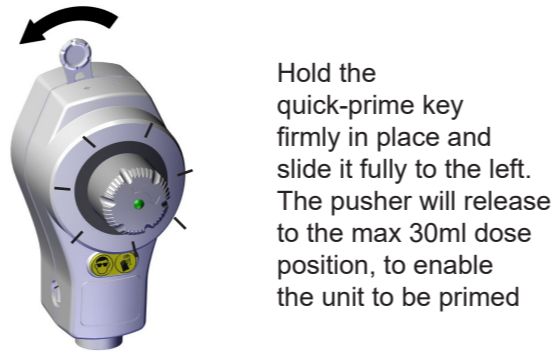
WARNING: Observe the guidelines from the chemical manufacturer regarding dilutions and safety advice. Follow instructions carefully to avoid accidents.

Health & Safety

Wear protective clothing, gloves and goggles when installing dispensers or handling chemicals.

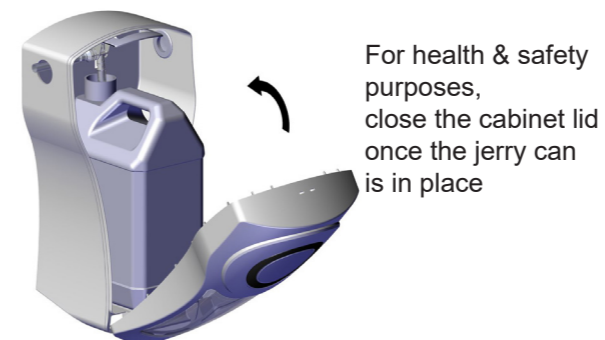
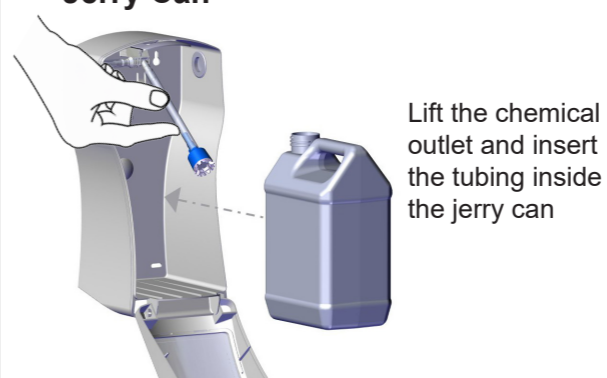


Prime



Refill/change consumables

Jerry Can



Pouch

